

# E-WATERBLOCK



The product image and contents are for reference only.

## DESCRIPTION

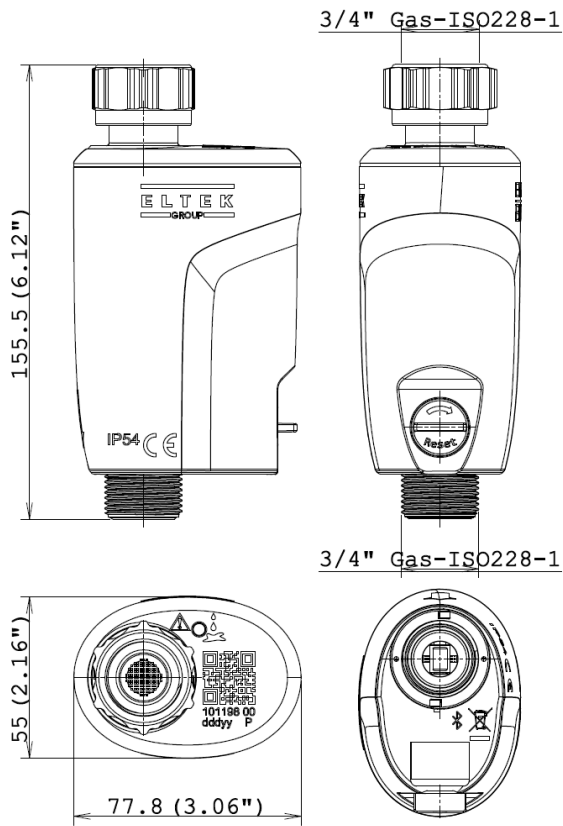
E-WATERBLOCK is a smart device which can detect micro leaks, pipe breaks, out of range and abnormal situations in water consumption. It prevents floods by closing pipe every time there's a flow anomaly. Once activated by an anomalous situation, the user can reset the device by turning the orange lever to make it ready to protect the location again. It doesn't need neither an internet connection nor a power connection. It uses Bluetooth technology for a wireless communication with the dedicated APP and it has an embedded long life battery to make it works for years. The ideal solution for offices or public places and professional activities characterized by presence of coffee and beverage dispensers, vending machines and water or ice systems, because it guarantees the maximum reliability and protection from damage independently from human control. E-WATERBLOCK is also suitable for: household appliances, dispensing units, water management systems, gardening; it is an antiflooding device.



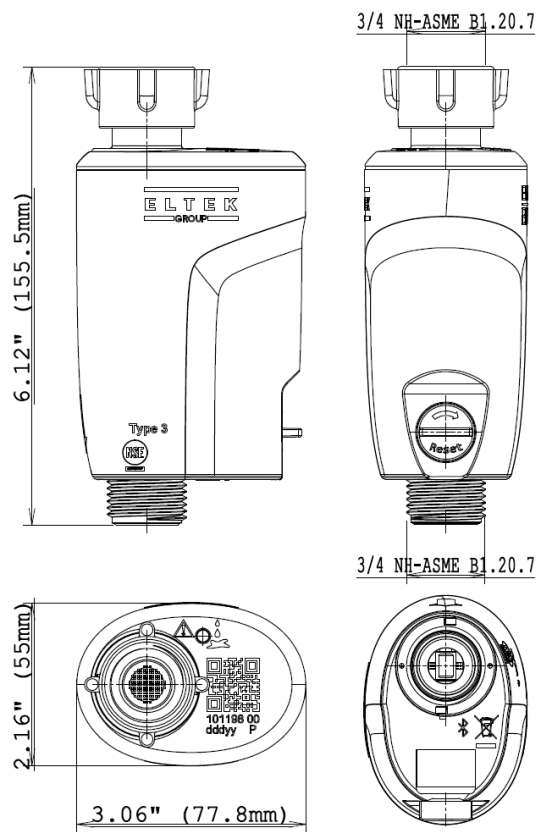
[www.waterblocksolutions.com](http://www.waterblocksolutions.com)

**ELTEK**  
APPLIANCE





EU VERSION



USA VERSION\*

\*Inches

PART NUMBER EU VERSION: 101198  
 PART NUMBER USA VERSION: 101298  
 PART NAME: E-WATERBLOCK

## TECHNICAL CHARACTERISTICS

- 3/4" gas female inlet, 3/4" gas male outlet
- Long life battery operated
- Can be mounted vertically or horizontally
- Operating ambient temperature 2° - 40° (36.5°F - 104°F)

E-WATERBLOCK EU version is approved: WRAS, ACS; and is compliant with: UBA, DM174, KTW.  
 E-WATERBLOCK USA version is certified: NSF 169, UL, FCC



Data updated to 02/2021

	E-WATERBLOCK
Minimum flow	0.1 l/min 0.026 gpm*
Maximum flow	from 0.1 l/min to 30 l/min from 0.026 gpm to 7.926 gpm*
Approved also for operation with hot water	✓
Relative humidity	30% - 95%
Water conductivity	from 100 microS/cm to 5000 microS/cm
Operating flow pressure	0.02 MPa - 1MPa (0.2 - 10 bar)
Wireless connection	APP with Bluetooth®
Battery life time	> 3 years

\*US gallons



ELTEK S.p.A.

Strada Valenza 5/A 15033 Casale Monferrato (AL) c T. +39 0142335511  
 • www.waterblocksolutions.com • info@waterblocksolutions.com